

IT2400-TC41-GP/IT2400-TC41-GLC

Installation Guide

Thank you for purchasing Digital Electronics Corporation's IT2400-TC41-GP/IT2400-TC41-GLC units, hereafter referred to as the "IT" unit.

This guide explains the steps necessary for setting up and operating the IT unit safely. For further details, refer to the included GP/GLC Installation Guide, and the GP/GLC User Manual (sold separately).

Safety Precautions

WARNINGS

System Design

- Do not create switches used to control machine safety operations, such as an emergency stop switch, as a IT touch screen icon. Be sure to install these switches as separate hardware switches, otherwise severe bodily injury or equipment damage can occur.
- Please design your system so that equipment will not malfunction due to a communication fault between the IT and its host controller. This is to prevent any possibility of bodily injury or material damage.
- The IT is not appropriate for use with aircraft control devices, aerospace equipment, central trunk data transmission (communication) devices, nuclear power control devices, or medical life support equipment, due to these devices' inherent requirements of extremely high levels of safety and reliability.
- When using the IT with transportation vehicles (trains, cars and ships), disaster and crime prevention devices, various types of safety equipment, non-life support related medical devices, etc. redundant and/or failsafe system designs should be used to ensure the proper degree of reliability and safety.
- Do not use the IT unit as a warning device for critical alarms that can cause serious operator injury, machine damage or production stoppage. Critical alarm indicators and their control/activator units must be designed using stand-alone hardware and/or mechanical interlocks.
- After the IT's backlight burns out, unlike the IT's "Standby Mode", the touch panel is still active. If the operator fails to notice that the backlight is burned out and touches the panel, a potentially dangerous machine miss-operation can occur. Therefore, do not use IT touch switches for the control of any equipment safety mechanisms, such as Emergency Stop switches, etc. that protect humans and equipment from injury and damage. If your IT's backlight suddenly turns OFF, use the following steps to determine if the backlight is actually burned out.
 - 1) If your IT is not set to "Standby Mode" and the screen has gone blank, your backlight is burned out.
 - 2) Or, if your IT is set to Standby Mode, but touching the screen does not cause the display to reappear, your backlight is burned out.

Also, to prevent accidental machine miss-operation, Digital suggests you use the IT's built-in "USE TOUCH PANEL AFTER BACKLIGHT BURNOUT" feature, that will automatically detect a burnout and disable the touch screen.



WARNINGS

Installation

- High voltage runs through the IT. Except for replacing the backlight, never disassemble the IT, otherwise an electric shock can occur.
- Do not modify the IT unit. Doing so may cause a fire or an electric shock.
- Do not use the IT in an environment where flammable gasses are present, since operating the IT may cause an explosion.

Wiring

- To prevent an electric shock, be sure to confirm that the IT's power cord is not connected to the main power when connecting any cords, cables or lines to the IT.
- Do not use power beyond the IT's specified voltage range. Doing so may cause a fire or an electric shock.

Maintenance

- The IT uses a lithium battery for backing up its internal clock data. If the battery is incorrectly replaced, the battery may explode. To prevent this, please do not replace the battery yourself. When the battery needs to be replaced, please contact your local IT distributor.

In order to use the IT unit safely, be sure to refer to the Warning and Caution data included in the GP/GLC Installation Guide, and in the GP/GLC User Manual (sold separately).

UL/c-UL(CSA) Approval

The IT2400-TC41-GP and the IT2400-TC41-GLC are UL/c-UL(CSA) listed products. (UL file No. E171486)

This Unit conforms as a component to the following standards:

UL 1950, Third Edition, dated March 1, 1998

(Standard for Safety of Information Technology Equipment, including Electrical Business Equipment)

CAN-C22.2 No.950-M95

(Standard for Safety of Information Technology Equipment, including Electrical Business Equipment)

IT2400-TC41-GP (UL Registration Model: 2980043-01)

IT2400-TC41-GLC (UL Registration Model: 2980043-01)

Failure to fulfill the following items may cause the IT unit to fail to meet the conditions of UL/c-UL(CSA) approval.

- The IT unit is to be used indoors.
- Design the IT unit's power cut-off switch as a separate disconnect device and locate it where the operator can easily reach it.
- Be sure to design the plug of the IT unit's power supply so that it is easily removed.
- When connecting a cable to the IT unit's serial interface or its Tool Connector, be sure to use a cable manufactured by the Digital Electronics Corporation.
- When creating a cable, be sure the cable is flame-resistant grade (VW-1). Also, the rated voltage of the Serial I/F and Tool Connector power output terminals is +5V.

CE Marking

IT2500-TC41-GP and IT2400-TC41-GLC are CE marked, EMC compliant products. These units also conform to EN55011 Class A, EN61000-6-2 directives.7

Package Contents

Please check that the following items are included in your package.

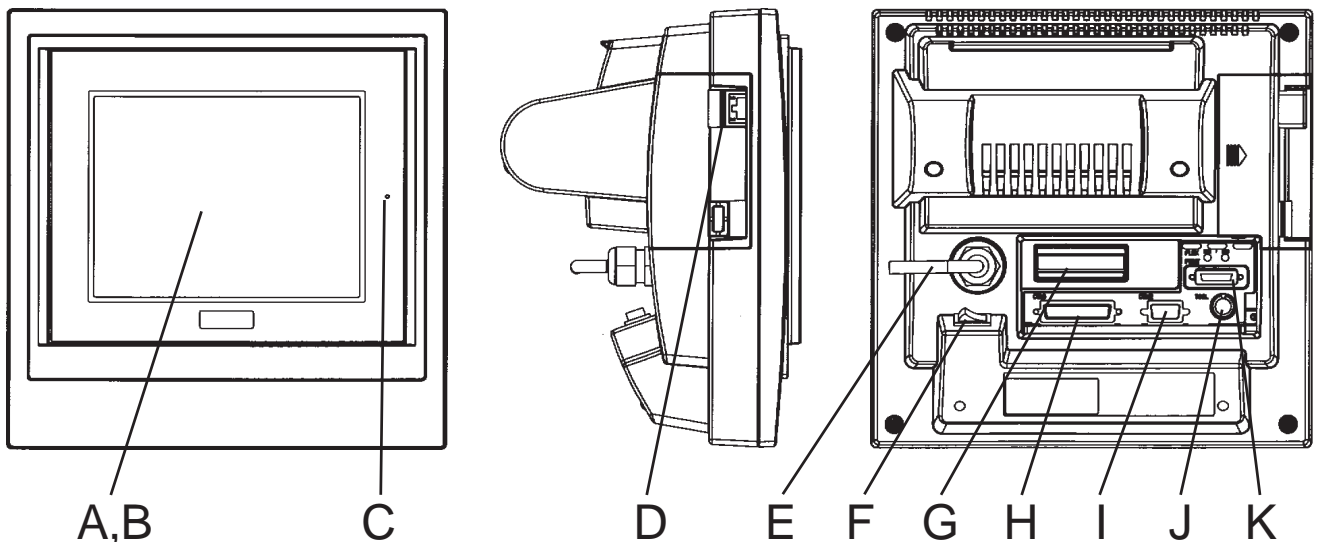
■ IT2400-TC41-GP model

- IT2400-TC41-GP
- GP2400-TC41-24V Installation Guide
- IT2400-TC41-GP/IT2400-TC41-GLC Installation Guide (this guide)

■ IT2400-TC41-GLC model

- IT2400-TC41-GP
- GP2400-TC41-24V Installation Guide
- IT2400-TC41-GP/IT2400-TC41-GLC Installation Guide (this guide)

1 Part Names



A : Display

B : Touch Panel

C : Status LED

D : Ethernet Interface (10BASE-T)

E : Power Cord

F : Power Switch

G : Reset, AUX, Sound Output Interface (IT2400-TC41-GP Model)

Reset, Flex Network, Sound Output Interface (IT2400-TC41-GLC Model)

H : Serial Interface (Dsub 25-pin)

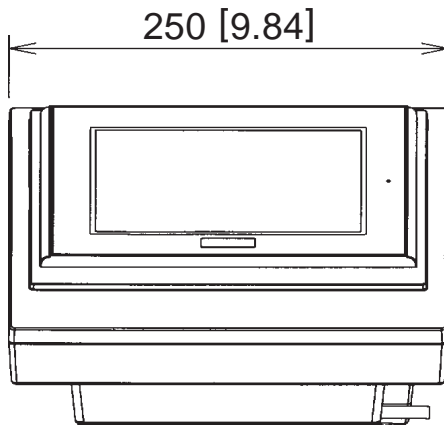
I : Serial Interface (Dsub 9-pin)

J : Tool Connector

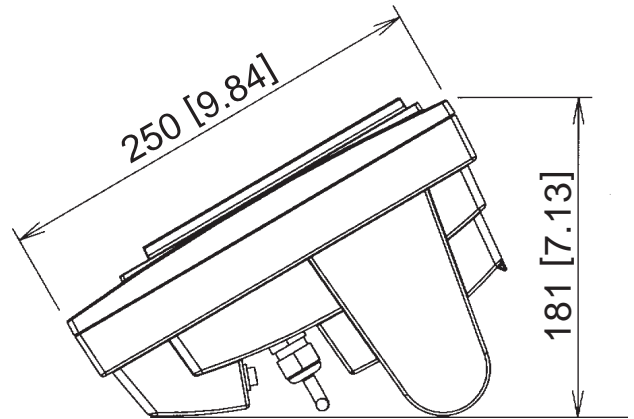
K : Printer Interface (Half Pitch 20-pin)

2 Dimensions

Unit:mm [in.]



Front



side

AC Cable : 2m±150mm



SCIGATE
Your Automation Partner



SCIGATE AUTOMATION (S) PTE LTD
No.1 Bukit Batok Street 22 #01-01 Singapore 659592
Tel: (65) 6561 0488 Fax: (65) 6562 0588
Email: sales@scigate.com.sg Web: www.scigate.com.sg
Business Hours: Monday - Friday 8.30am - 6.15pm

3 Specifications

The following table lists the IT units specifications.

Input Voltage	AC100V
Rated Voltage	AC85V to AC125V
Allowable Voltage Drop	2.0ms or less
Power Consumption	30VA or less
In-rush Current	30A or less
Voltage Endurance	AC1500V 20mA for 1minute
Insulation Resistance	10MW or higher at DC500V
Ambient Operating Temperature	0°C to 35°C
Grounding	100W or less, or your country's applicable standard ^{*1}

*1 Grounding requirements differ from country to country. Be sure to confirm your work environment requirements prior to installation. For further information, please contact your Pro-face distributor.

The other general specifications for IT Units are based on the GP or GLC's specifications(except for the structure standards).

Please be aware that Digital Electronics Corporation shall not be held liable by the user for any damages, losses, or third party claims arising from the uses of this product.